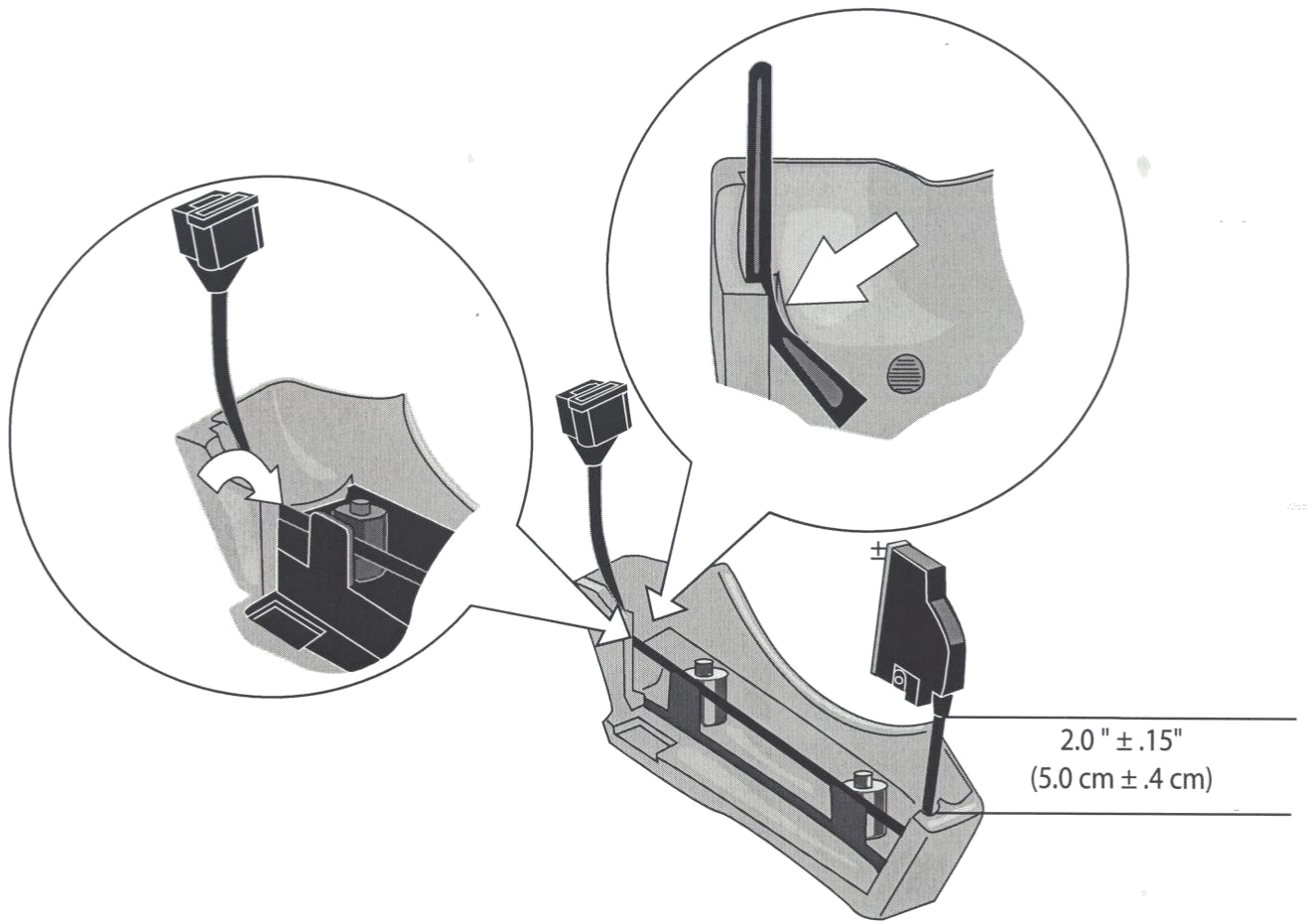
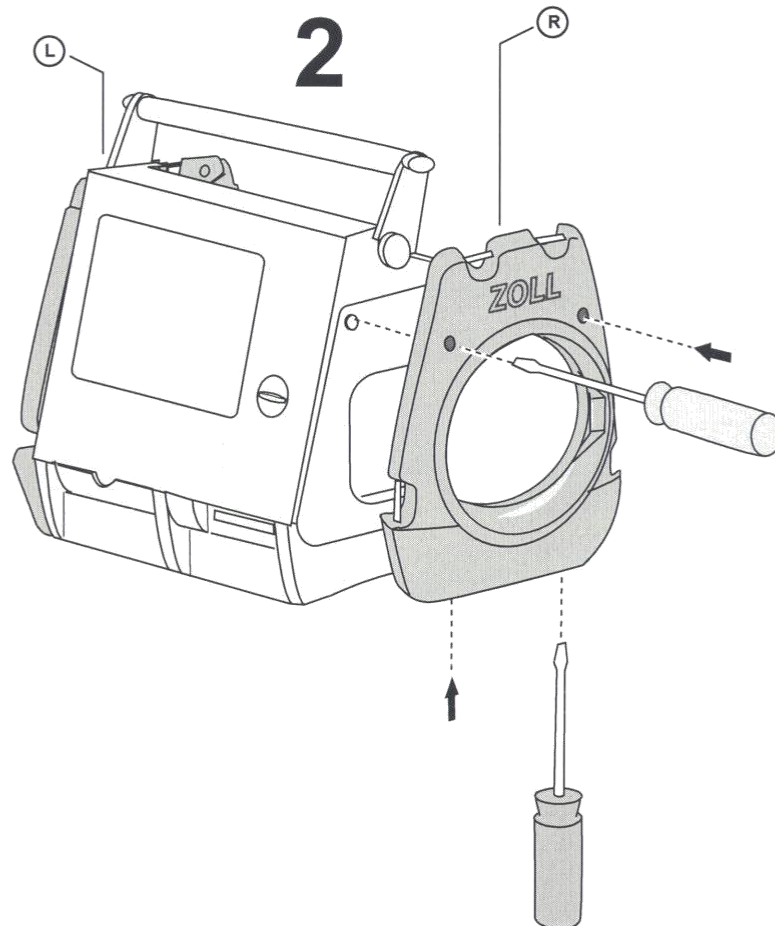
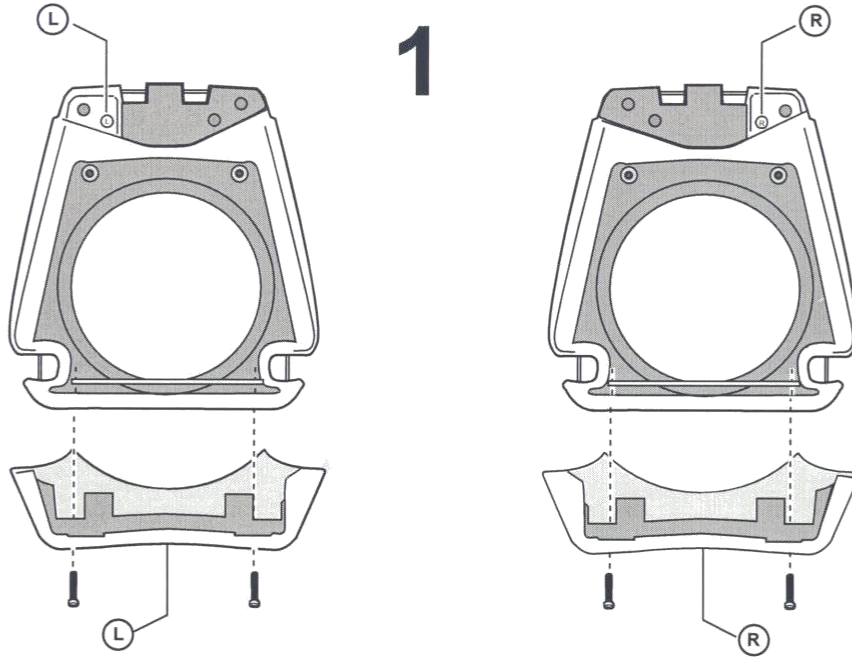
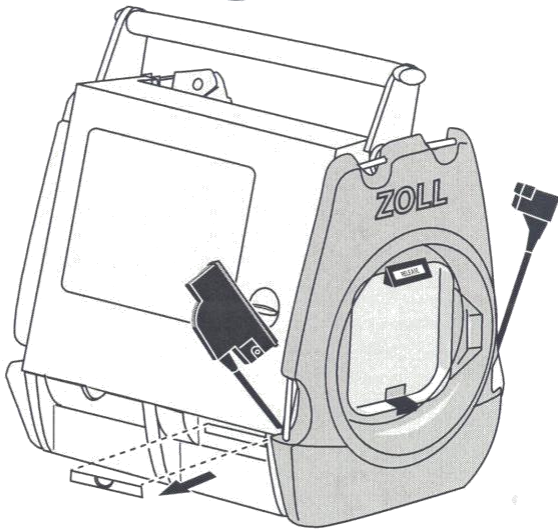


**INSTRUCTIONS, XTREME PACK II XL/CCT,
W/EXTENSION AND MODEM**

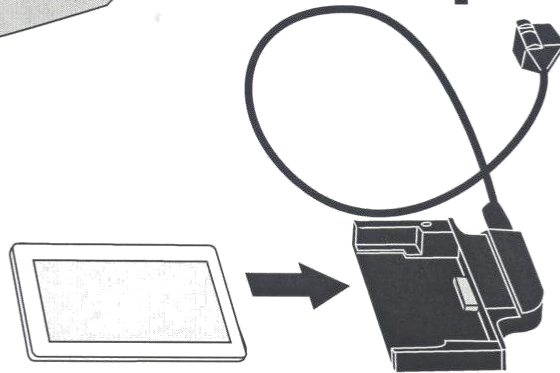




3



4



5

